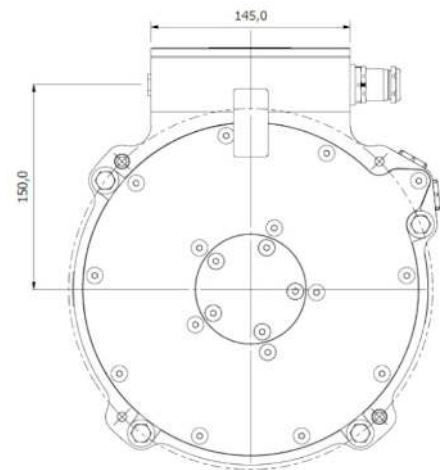
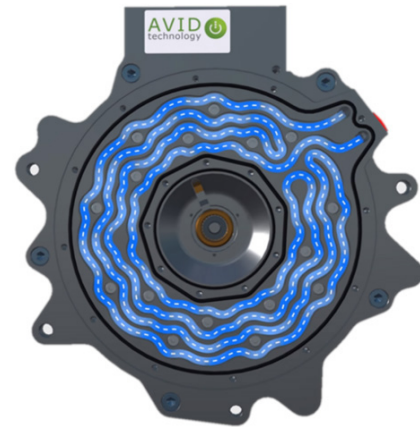


EVO Axial Flux Electric Motor AF130 Model

Features

- + Very high torque and power density, 4.6 kW/kg* off the shelf and >10kW/kg achievable in custom applications.†
- + Low inertia composite rotor with excellent dynamic stability.
- + Compact design with flat front & back faces for mounting
- + Through shaft and customised versions available.†
- + Low cogging and low ripple torque gives smooth, quiet operation in direct drive applications.
- + Liquid cooling for enhanced performance, using water/glycol for simplified system integration.
- + >95% Efficiency.
- + Suitable for inverter supply voltages up to 800 VDC.
- + Integrated PT100 temperature sensors and sin/cos resolver for out of the box compatibility with most commercially available inverters.



Specifications at 600V_{DC} ††

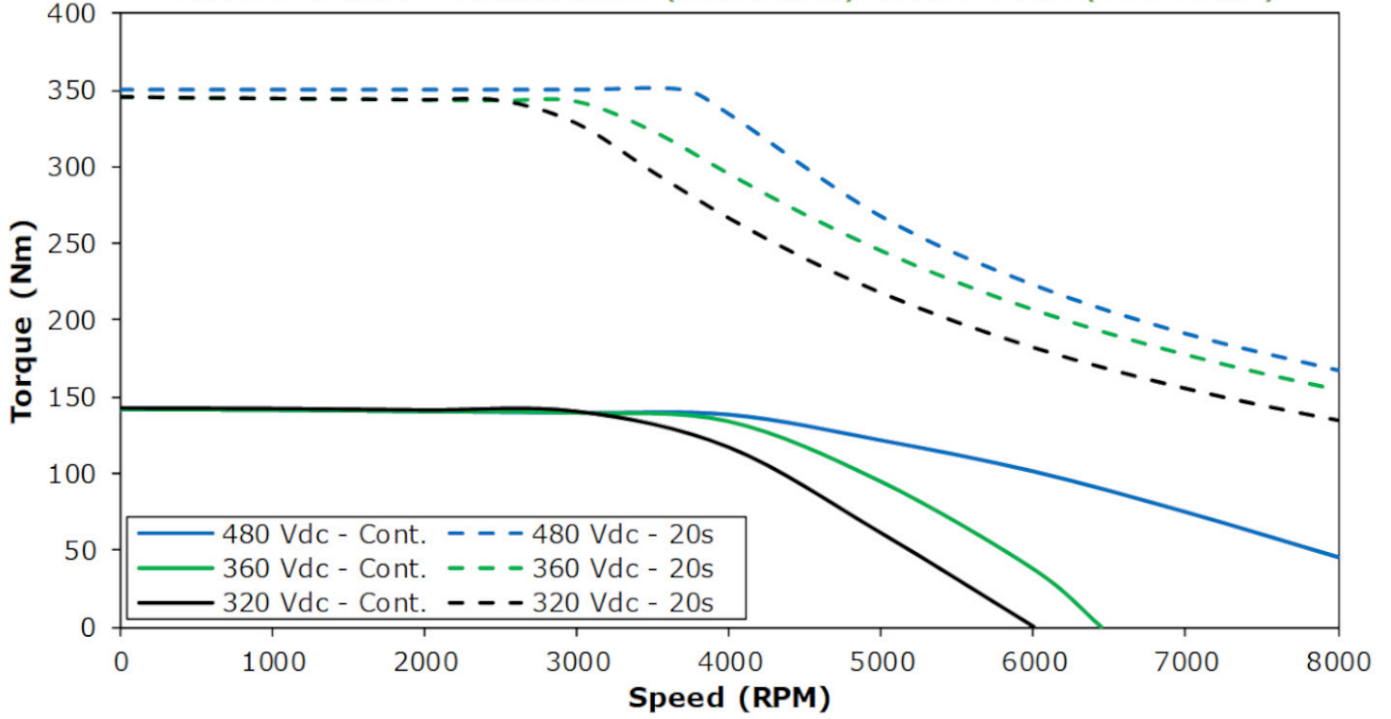
PM Synchronous Axial Flux Motors	AF 130
Maximum Speed (rpm)	8000
Nominal Torque (Nm)	145
Peak Torque - for up to 60s (Nm)	250
Peak Torque - for up to 20s (Nm)	350
Nominal Output Power (kW)	64
Peak Output Power - for up to 60s (kW)	100
Peak Output Power - for up to 20s (kW)	140
Coolant Flow Rate (litre/min)	8
Length (mm)	110
Diameter (mm)	300
Weight (kg)	30.5

* Weight as delivered (fully dressed, dry)

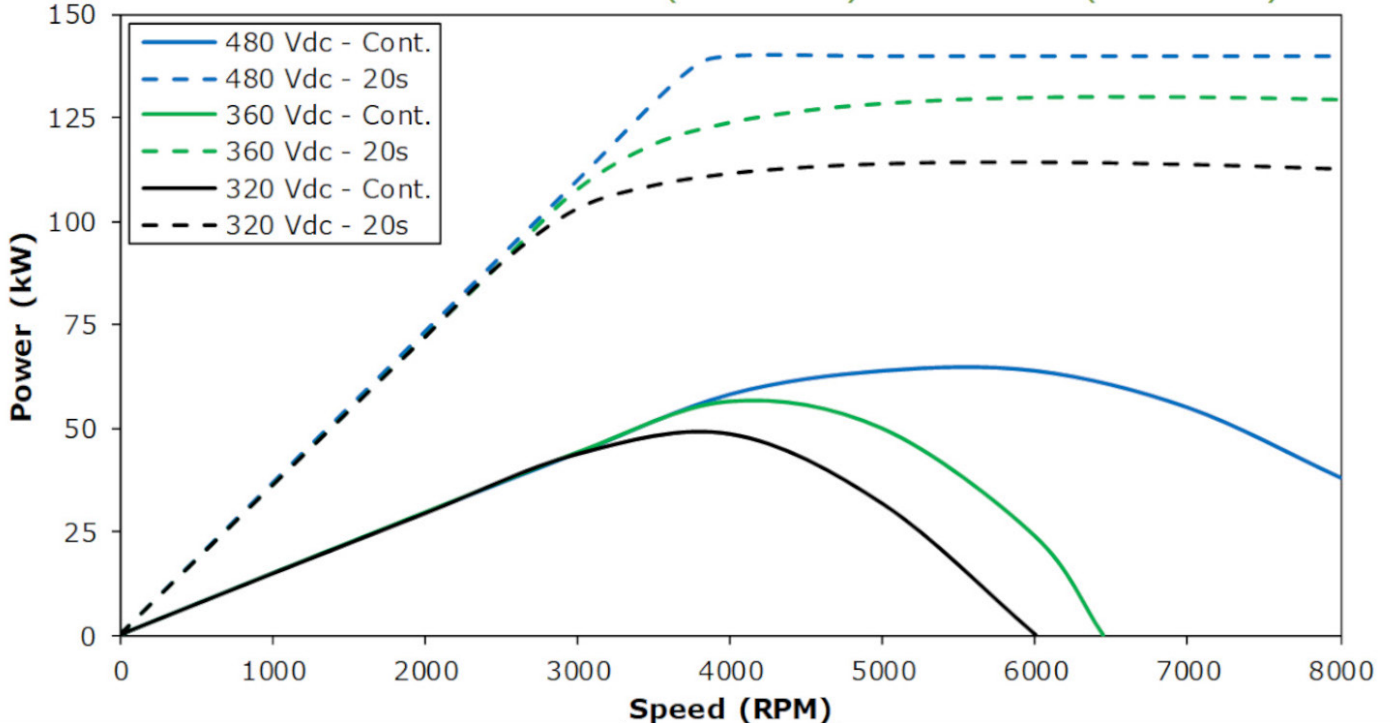
† Please contact sales@turntide.com for details on our bespoke design service

†† All values in table are quoted for 45°C ambient with coolant at 55°C inlet temperature and 8l/min flow rate.

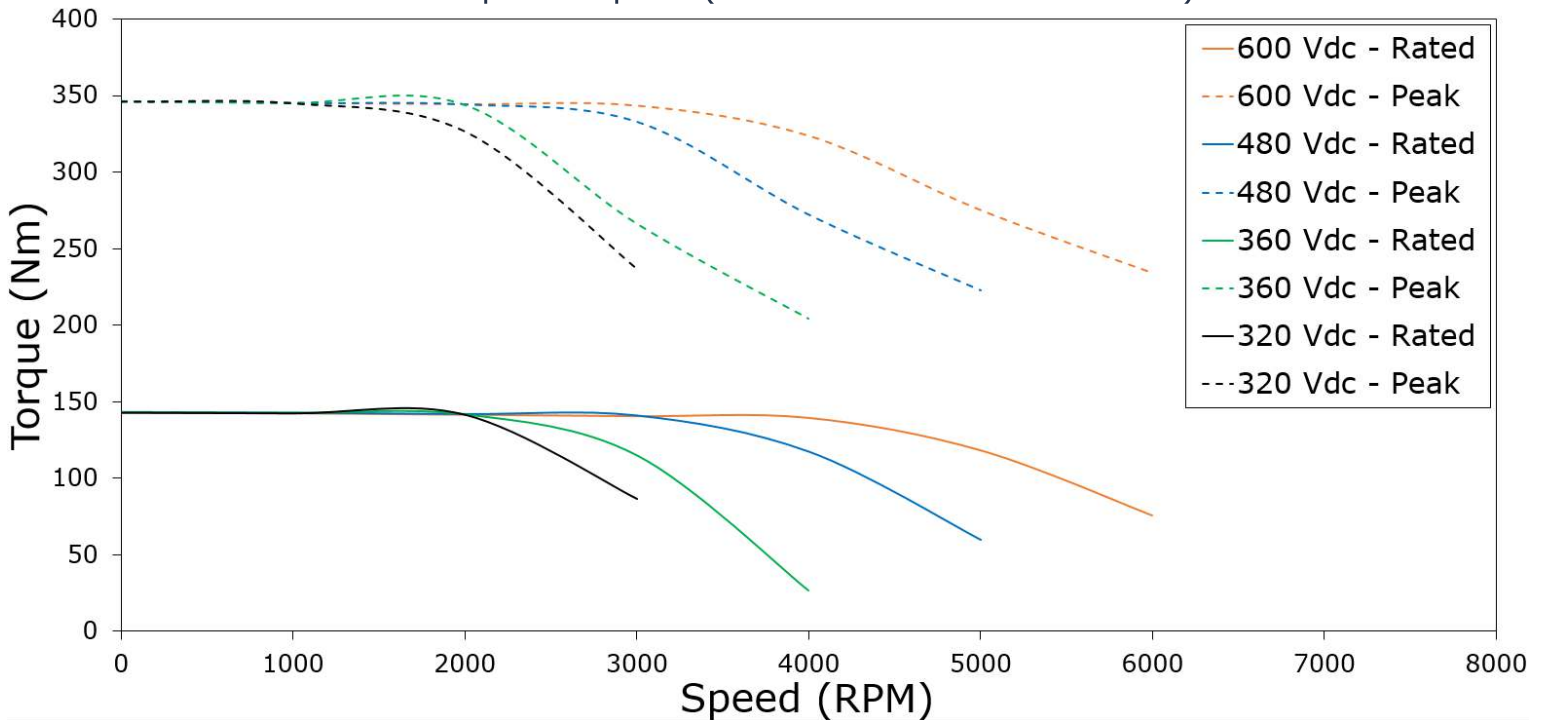
AF130 4 Tum - Continuous (135 Arms) & 20s Peak (330 Arms)



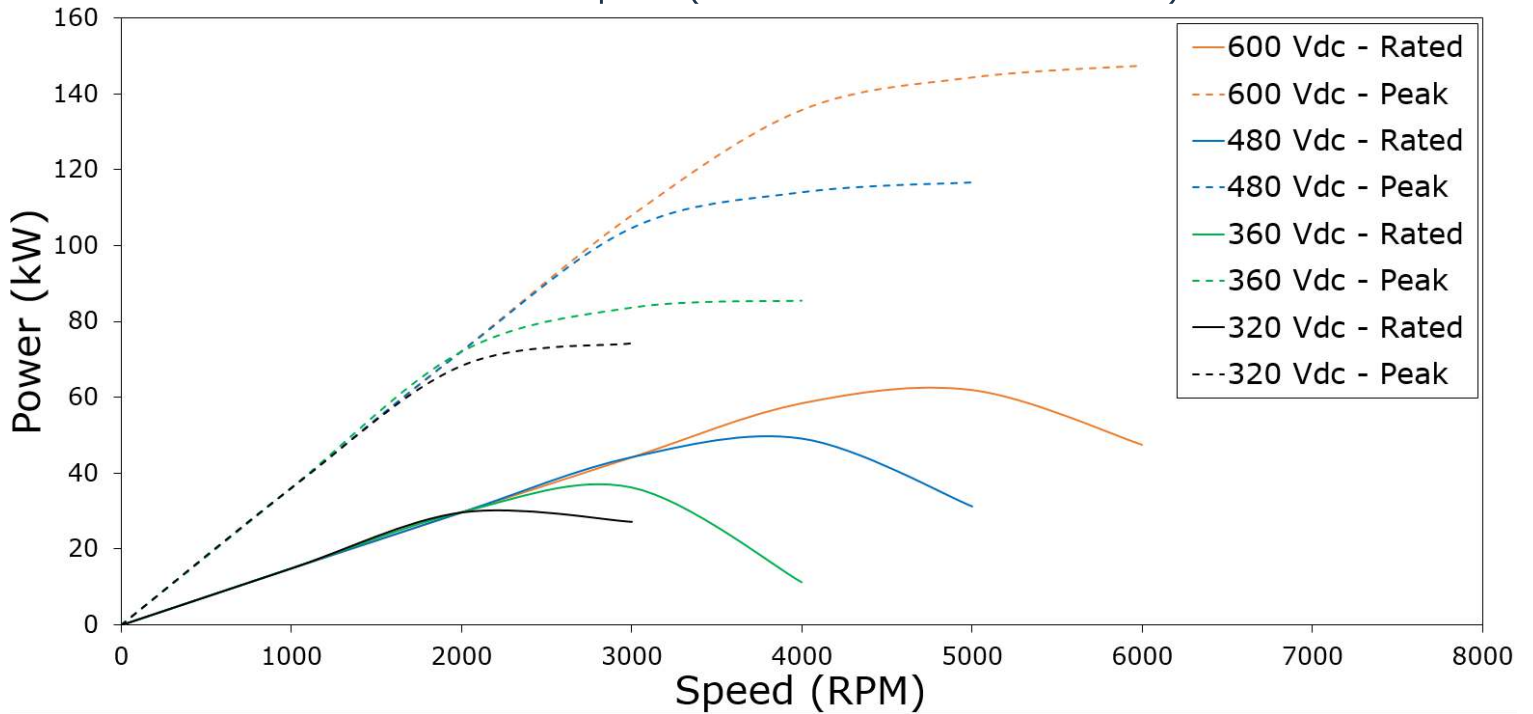
AF130 4 Tum - Continuous (135 Arms) & 20s Peak (330 Arms)



Torque Vs Speed (AF130 6 Turn - Rated & Peak)



Power Vs Speed (AF130 6 Turn - Rated & Peak)



TURNTIDE TECHNOLOGY FOR SUSTAINABLE OPERATIONS

Our breakthrough technologies accelerate electrification and sustainable operations for energy-intensive industries.