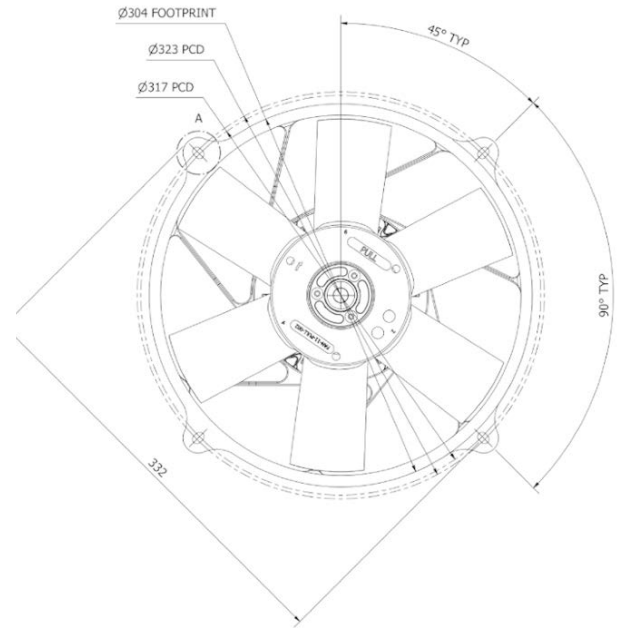


# 11" 48V Lightweight Electric Fan

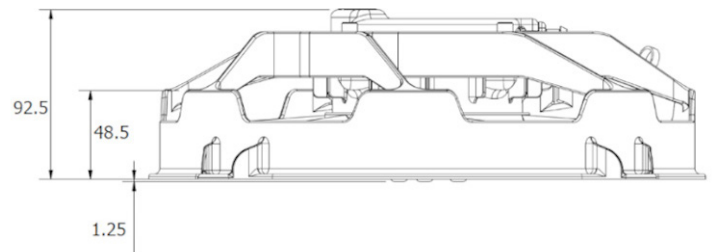
## Features

- + Long life, brushless, sensor-less motor
- + Environmentally sealed (IP67)
- + Fully reversible
- + Advanced integrated motor controller
- + Best in class performance
- + Thermal overload protection
- + Voltage transient protection
- + CAN controllable and diagnostics



## Specifications

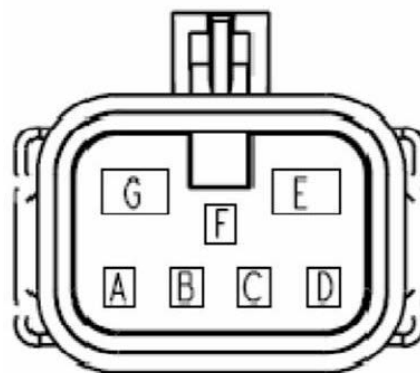
<b>Weight:</b>	2.2kg
<b>Operational Voltage:</b>	36 to 54VDC
<b>Operating Temp:</b>	-40°C to 95°C
<b>Storage Temp:</b>	-50°C to 125°C



## Applications

- + Main engine cooling
- + Secondary cooling
- + Transmission cooling
- + ERG cooling
- + Oil cooling
- + Hydraulic cooling
- + HVAC cooling
- + Electronic cooling
- + CAC/Intercooler cooling

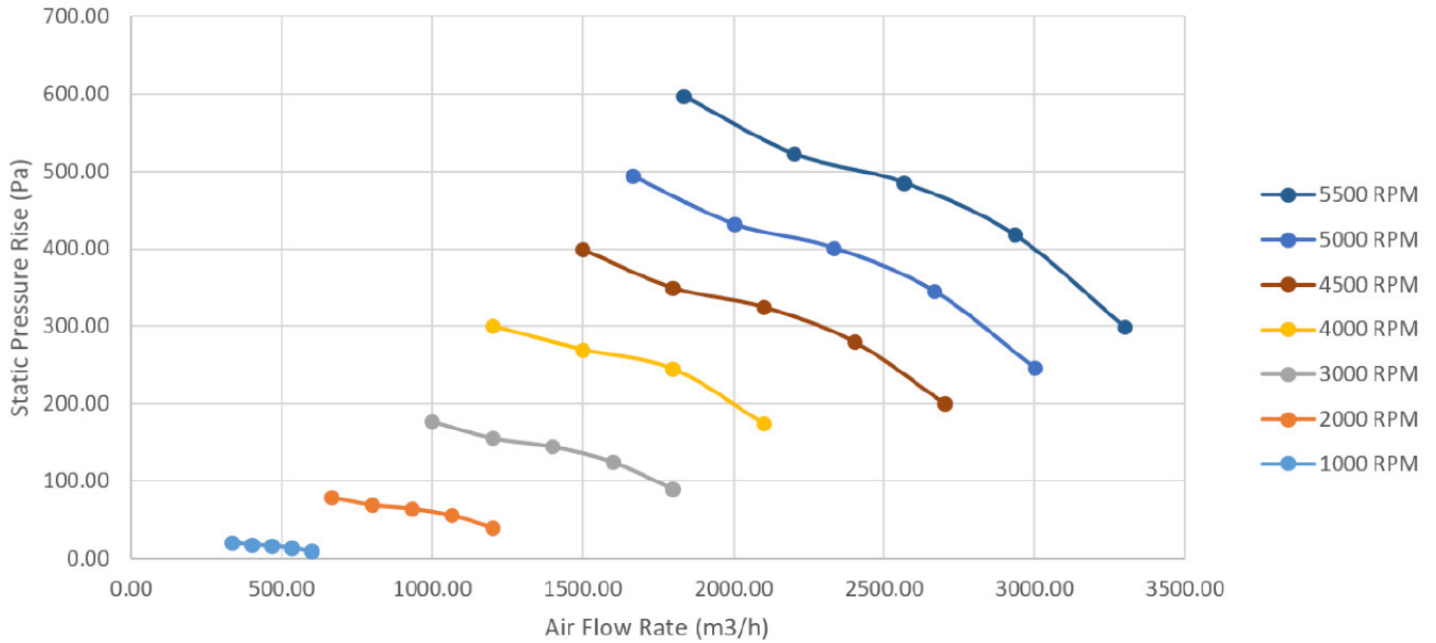
Connector Information – **12052200**<sup>(1) (2)</sup>  
 Male 7 way Delphi 150/480 Sealed Connector



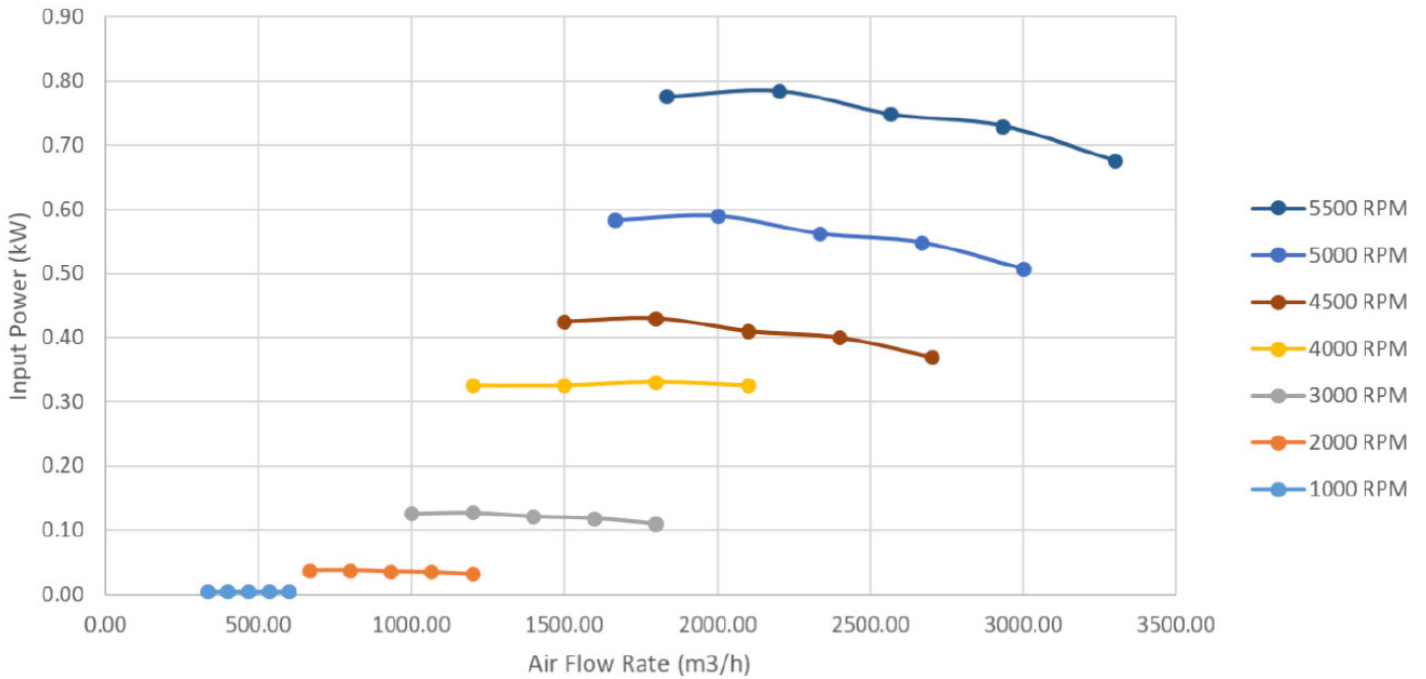
Pin	Description
A	CAN LO
B	CAN HI
C	Enable (Ignition)
D	PWM Input
E	Battery (Positive)
F	Address In
G	Ground (Return)

- (1). Represent the connector on the fan  
 (2). Mating harness part number – 12059472.  
 Pin description same as above

### 280mm Lightweight Pull Fan Static Pressure Rise



### 280mm Lightweight Pull Fan Input Power



#### TURNTIDE TECHNOLOGY FOR SUSTAINABLE OPERATIONS

Our breakthrough technologies accelerate electrification and sustainable operations for energy-intensive industries.