

Turntide Smart Motor System™: V01 (3 HP)



Turntide’s breakthrough sustainability technology is a complete platform for energy optimization that drives down energy consumption and operating costs in buildings, agriculture and electric transport. With Turntide’s Smart Motor System and Technology for Sustainable Operations™, organizations can attack energy waste at every level, through optimal device physics, intelligent automation, and seamless integration with other systems.

Turntide V01 Motor: Key

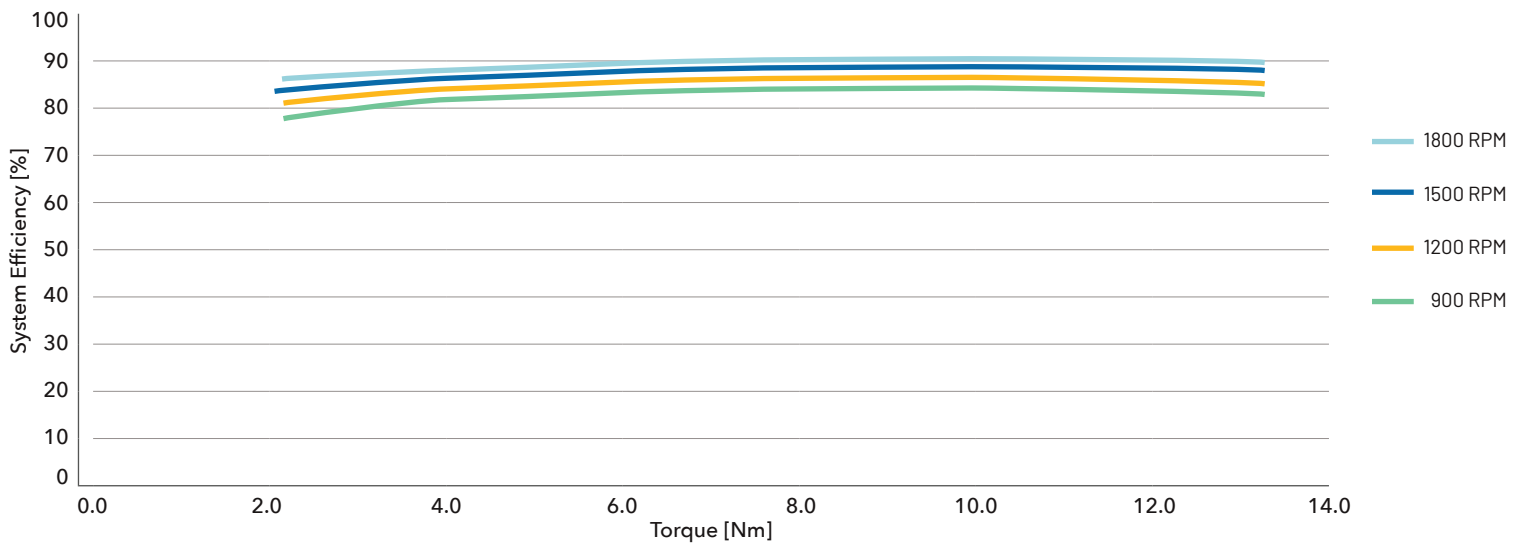
ATTACKS ENERGY WASTE AT EVERY LEVEL	CONTINUOUS IMPROVEMENTS	TRANSFORMATIVE IMPACT
V01 offers up to 91% peak system efficiency, which dramatically reduces HVAC energy consumption	V01 integrates with Turntide’s Platform for Sustainable Operations for simplified cloud-based building management that only gets better over time	V01 is engineered to provide unprecedented reliability and longevity thanks to its switched reluctance motor architecture, transforming HVAC systems for the long haul

With Turntide’s high rotor pole switched reluctance motor technology running with proprietary control algorithms, V01 offers an optimally efficient motor system perfectly suited to reduce energy consumption in RTU (packaged rooftop unit) HVAC systems. For commercial real estate built environments requiring motor systems at lower HP ranges, V01 provides a no-brainer sustainability solution that enables buildings to save energy for the long-term, immediately.

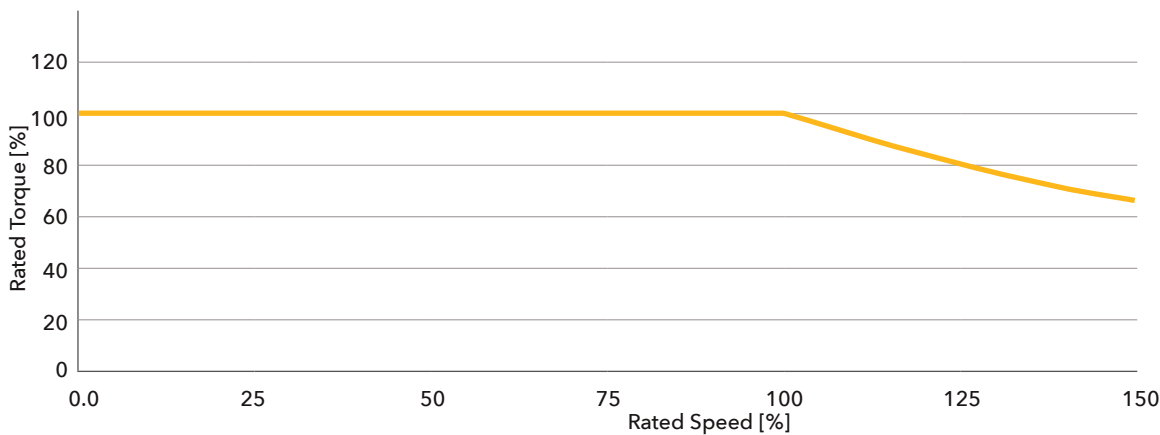
Turntide Smart Motor System™ Features

FEATURE	CAPABILITIES
Dynamic Motor Sequence Control	Enables fully customizable motor control sequences for any HVAC application, using Turntide’s Cascade® controls-based programming tool
Remote Monitoring and Alerts	Provides monitoring and remote reporting capabilities via the Turntide Cloud, enabling extended data logging and alerts that optimally protect your equipment and assure the most efficient operation possible
Built-In Equipment Management	Reduces additional hardware needed to control HVAC and other equipment, via 18 integrated I/O points
Total Electrical Protection	Ensures internal voltages are rapidly discharged for safe maintenance after power down via safe DC bus discharge. Eliminates inadvertent circuit breaker trips via built-in soft start and brownout protection.

System Efficiency vs Torque at Various Speeds



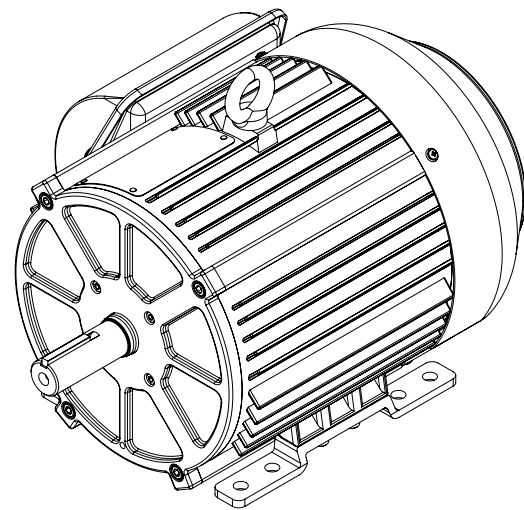
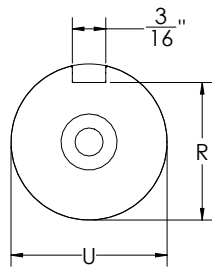
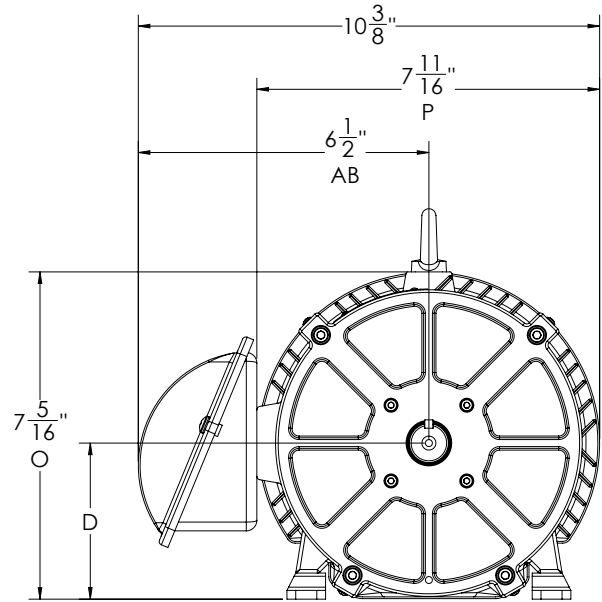
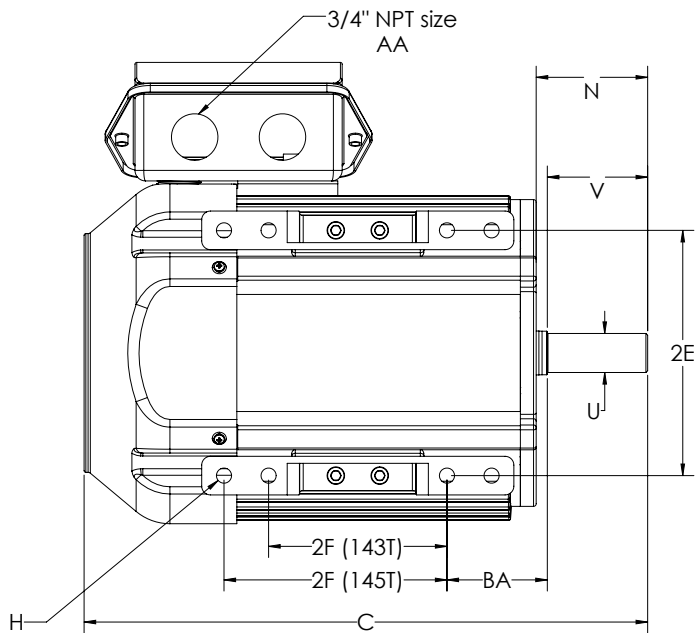
Torque-Speed Curve



Motor System Characteristics

Rated HP	3 HP (208/230VAC) 3 HP (460VAC)	Motor Enclosure	TEFC
Rated RPM	1800 RPM	Duty Rating	Continuous
Operating RPM	100-3600 RPM	Rated Service Factor	1.15
Supply Voltage	208/230VAC, 460VAC	Motor to Controller Power Wire	14 AWG
Supply Phase	Three-Phase (3HP)	Insulation Class	F
Supply Frequency	60 Hz	Ambient Temperature Range	-10°C to +40°C
Peak System Efficiency	91%	Relative Humidity	95%, non-condensing
Power Factor over Operating Range	0.65-0.80	Rotor Inertia	0.100 lb-ft ²
Motor Frame Sizes	56, 143T/145T	Motor Weight	54 lb

Motor Dimensions

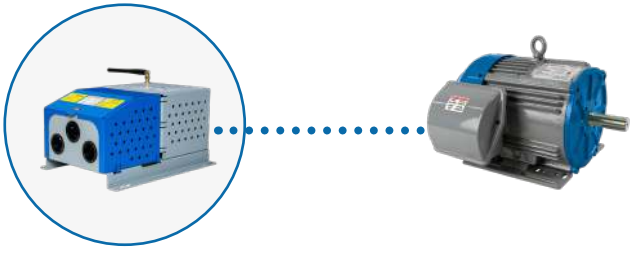


Dimension Table (in inches)

NEMA	D	E	2F	H	BA	U	V	C
56	3 1/2	2 7/16	3	11/32 SLOT	2 3/4	5/8	1 7/8 or 4 1/2	12 5/8
143T	3 1/2	2 3/4	4	11/32	2 1/4	7/8	2 1/4	12 5/8
145T	3 1/2	2 3/4	5	11/32	2 1/4	7/8	2 1/4	12 5/8

Definitions:

- D - height of shaft
- E - 1/2 distance between foot holes side-to-side
- 2F - distance between foot holes front to back
- H - foot hole size
- BA - distance from front foot hole to back of shaft horizontally
- U - shaft diameter
- V - shaft length
- C - overall length



The Turntide **SL120 motor controller** provides the intelligence behind the V01 motor, and is the gateway to unlocking all the benefits of the Turntide Smart Motor System and the Turntide Platform for Sustainable Operations.

SL120 Motor Controller: Key Benefits

Built-In Intelligence: SL120 runs a proprietary control algorithm that monitors motor feedback to optimize for efficiency at any speed

Seamless Connectivity: With up to 18 sensors and relay output connections available for monitoring and control, SL120 integrates easily with associated equipment, and can be configured with Turntide’s Cascade software to run various control scenarios

Built for Remote Monitoring: Connected to a Turntide Supervisor, SL120 provides remote configuration, updates, alerts, alarms, and system data logging through the Turntide Cloud or any BMS system

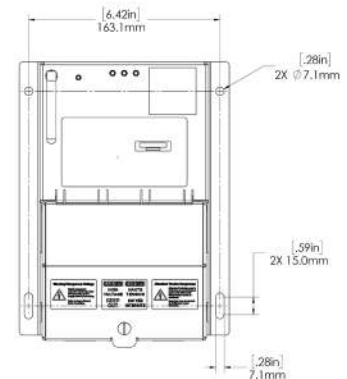
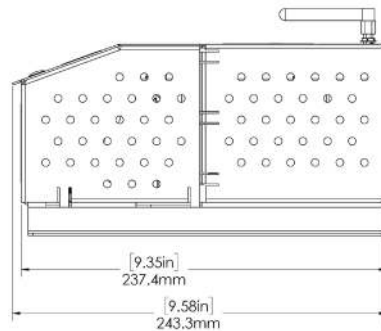
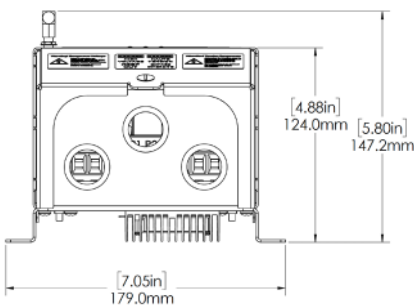
Motor Controller I/O

QTY	Description
7	Programmable digital inputs
1	Programmable voltage output: 0-10V, 20mA limit
4	Relay outputs: 1A, 125VAC limit
4	Universal inputs, individually selectable as: <ul style="list-style-type: none"> Voltage Mode: 0-10V Current Mode: 0-20mA; or 4-20mA Resistive Mode External Logic Mode
2	24VDC Aux Power Outputs (up to 500mA)

Motor Controller Mounting

Securely install the motor controller to a solid mounting surface with a 1/4 inch or M6 fastener using the four screw tabs on the base.

Motor Controller Dimensions



Indemnity

The information in this document is subject to change without notice and should not be construed as a commitment by Turntide Technologies or Software Motor Company. Turntide Technologies assumes no responsibility for any errors that may appear in this document. In no event shall Turntide Technologies be liable for incidental or consequential damages arising from use of this document or the software and hardware described in this document.

TURNTIDE TECHNOLOGY FOR SUSTAINABLE OPERATIONS

Our breakthrough technologies accelerate electrification and sustainable operations for energy-intensive industries.