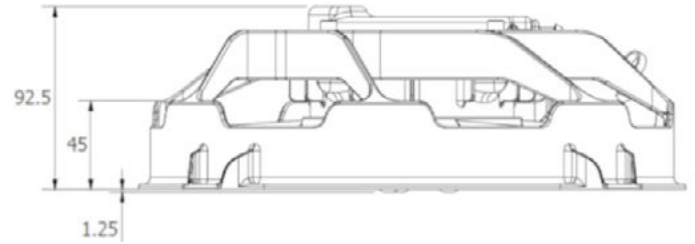


Turntide Puller Fan (48V, 10")

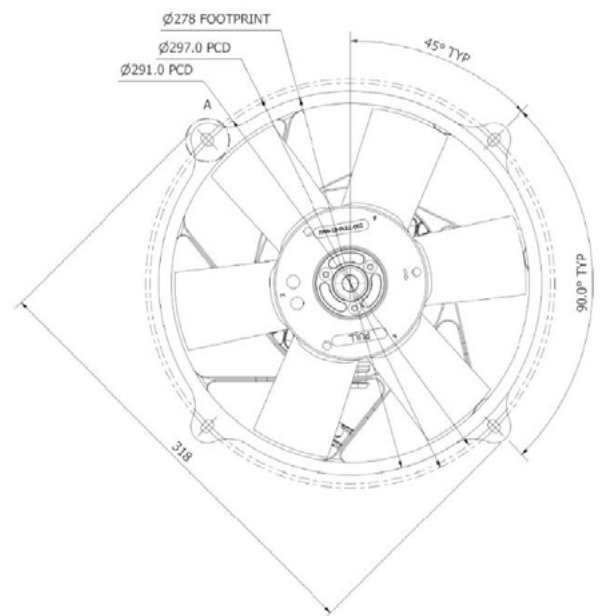
Features

- + Long life, brushless, sensor-less motor
- + Environmentally sealed (IP67)
- + Fully reversible
- + Advanced integrated motor controller
- + Best in class performance
- + Thermal overload protection
- + Voltage transient protection
- + CAN controllable and diagnostics



Specifications

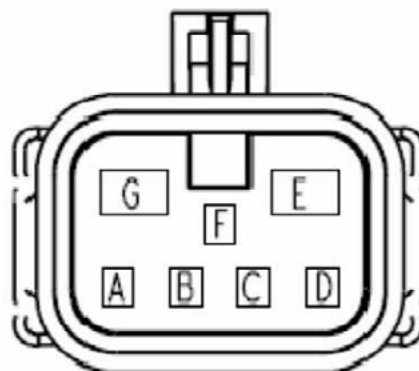
Weight	2.0 kg
Operational Voltage Range	36V to 52V
Operational Temperature Range	-30°C to +75°C
Storage Temperature Range	-40°C to +85°C
Best Efficiency Point:	949.4 m ³ /h @ 3000RPM
Max Input Power:	approximately 1.7kW



Applications

- + Main engine cooling
- + Secondary cooling
- + Transmission cooling
- + ERG cooling
- + Oil cooling
- + Hydraulic cooling
- + HVAC cooling
- + Electronic cooling
- + CAC/Intercooler cooling

Connector Information – 12052200⁽¹⁾ (2)
Male 7 way Delphi 150/480 Sealed Connector

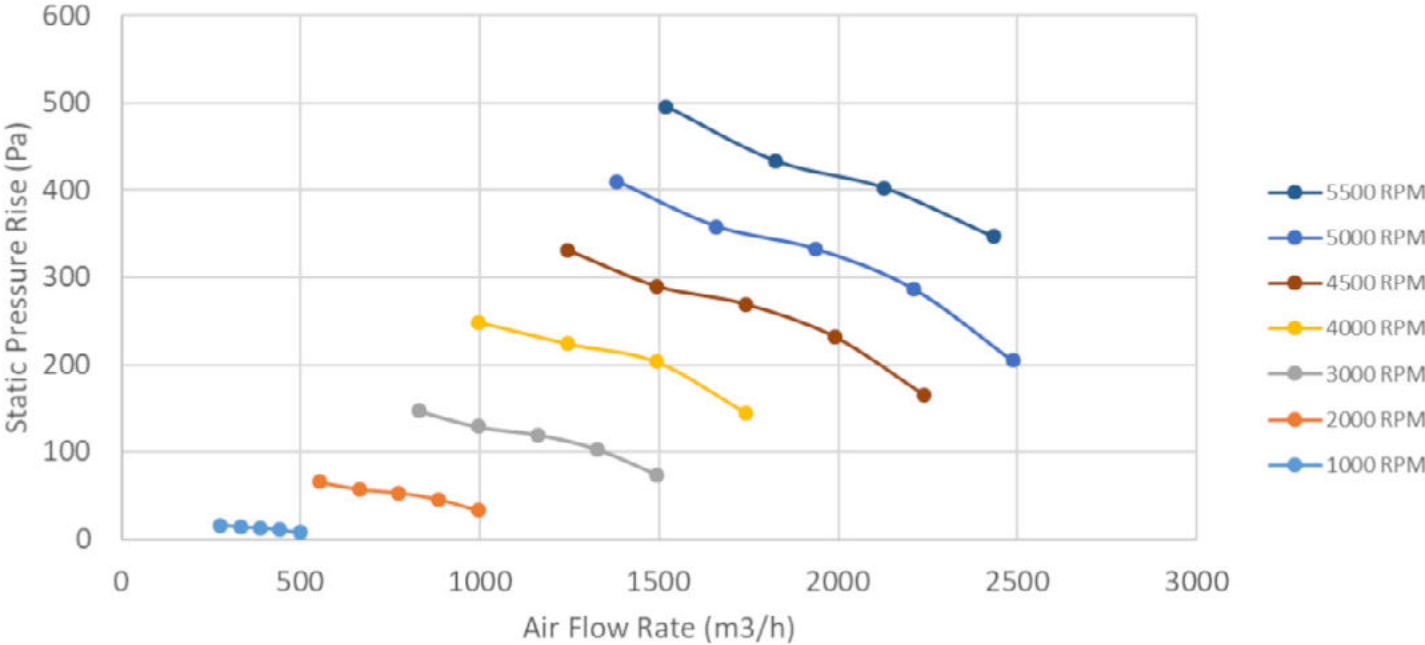


Pin	Description
A	CAN LO
B	CAN HI
C	Enable (Ignition)
D	PWM Input
E	Battery (Positive)
F	Address In
G	Ground (Return)

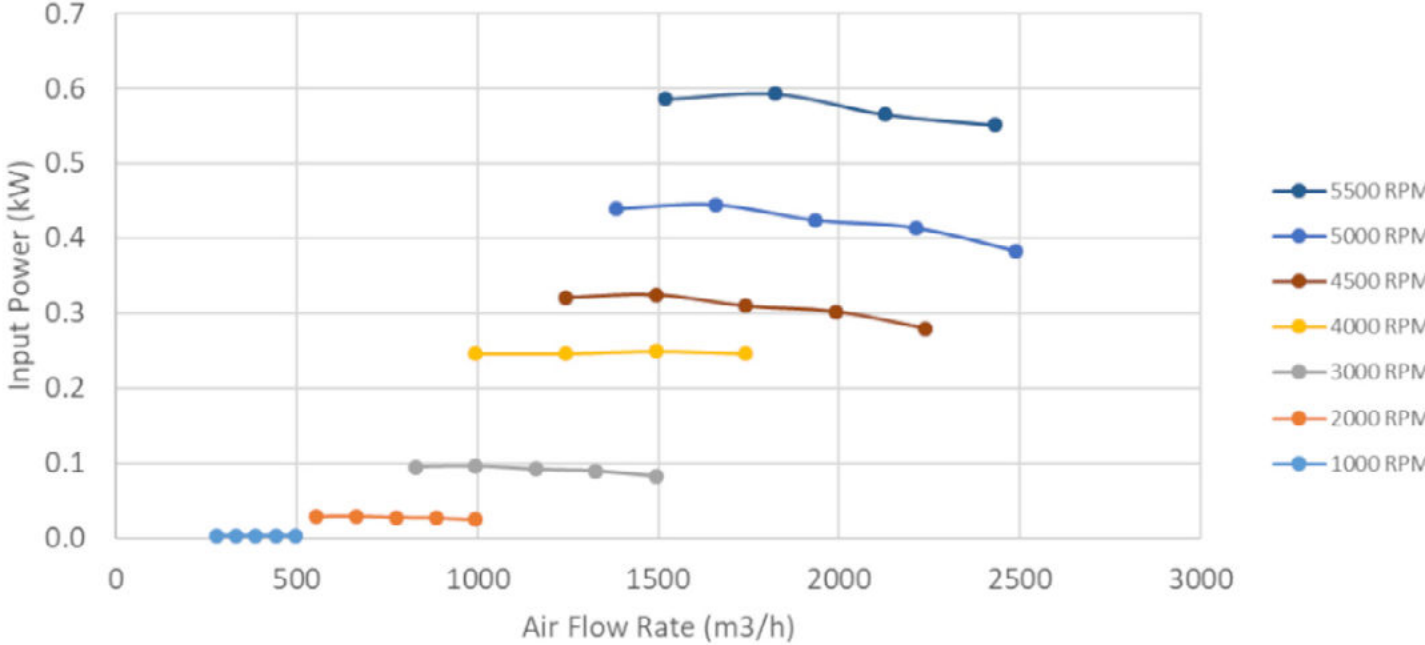
(1). Represent the connector on the fan

(2). Mating harness part number – 12059472.
Pin description same as above

48V 255mm Fan Static Pressure Performance Curves (Fan Laws)



48V 255mm Fan Static Pressure Performance Curves (Fan Laws)



TURNTIDE TECHNOLOGIES

Our breakthrough technologies accelerate electrification and sustainable operations for energy-intensive industries

Turntide Technologies | 1295 Forgewood Avenue, Sunnyvale, CA 94089
turntide.com | hvacmotorsales@turntide.com