

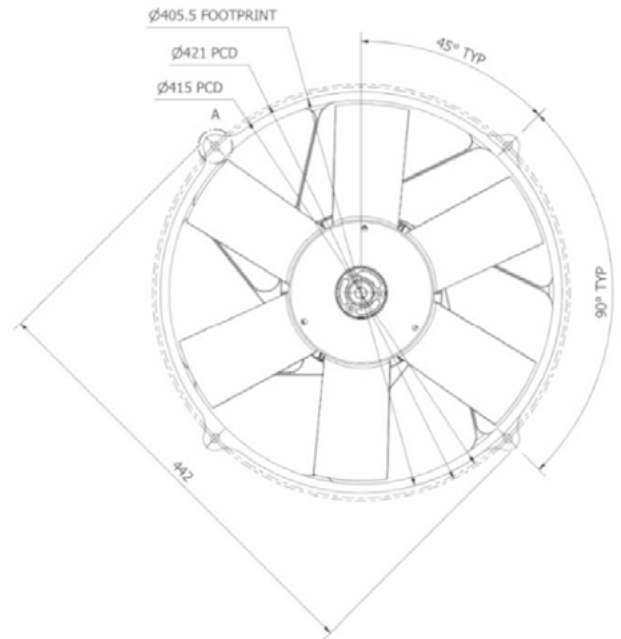
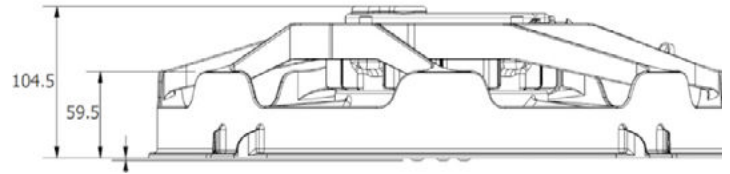
# Turntide Puller Fan (48V, 15")

## Features

- + Long life, brushless, sensor-less motor
- + Environmentally sealed (IP67)
- + Fully reversible
- + Advanced integrated motor controller
- + Best in class performance
- + Thermal overload protection
- + Voltage transient protection
- + CAN controllable and diagnostics

## Specifications

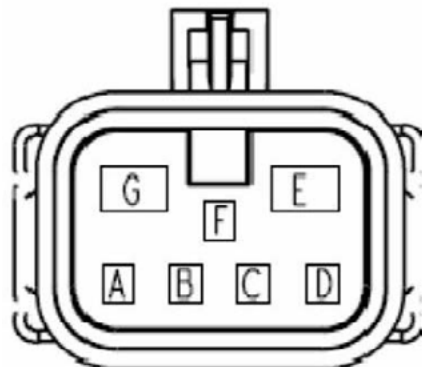
<b>Weight</b>	4.0 kg
<b>Operational Voltage Range</b>	36V to 52V
<b>Operational Temperature Range</b>	-30°C to +75°C
<b>Storage Temperature Range</b>	-40°C to +85°C
<b>Best Efficiency Point:</b>	3764 m <sup>3</sup> /h @ 4350RPM
<b>Max Input Power:</b>	approximately 600W



## Applications

- + Main engine cooling
- + Secondary cooling
- + Transmission cooling
- + ERG cooling
- + Oil cooling
- + Hydraulic cooling
- + HVAC cooling
- + Electronic cooling
- + CAC/Intercooler cooling

Connector Information – **12052200**<sup>(1)(2)</sup>  
Male 7 way Delphi 150/480 Sealed Connector

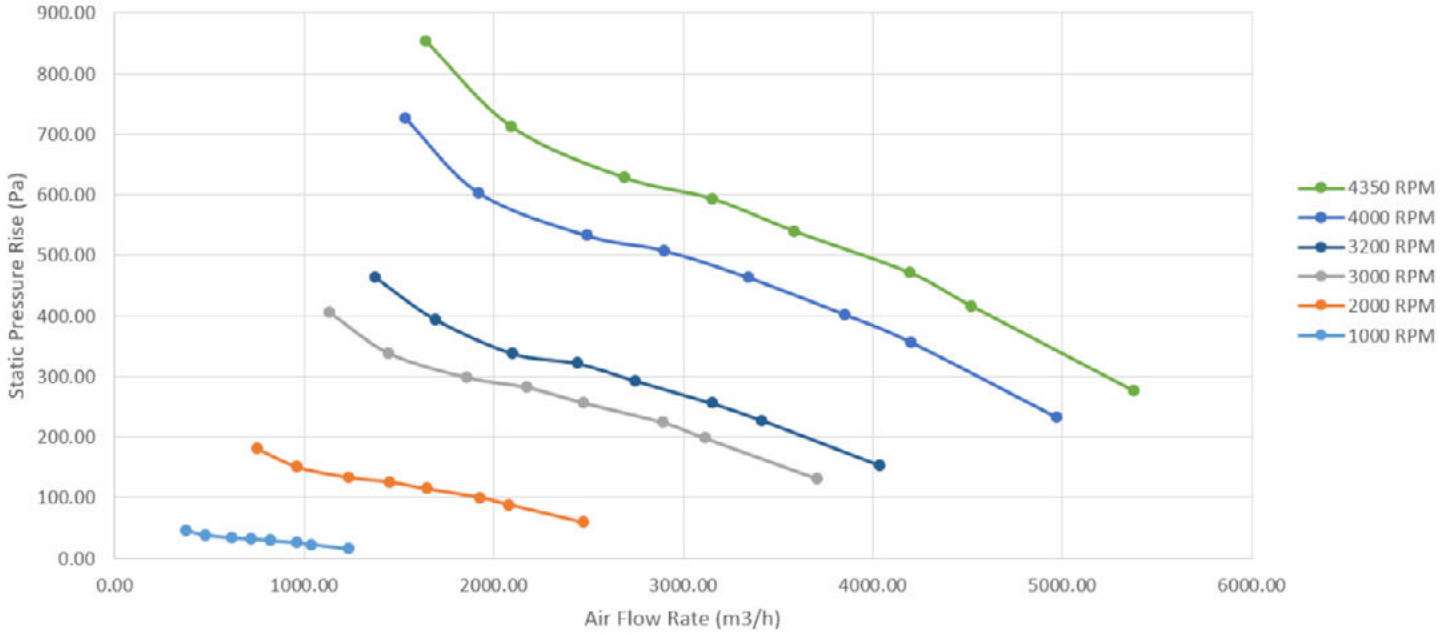


Pin	Description
A	CAN LO
B	CAN HI
C	Enable (Ignition)
D	PWM Input
E	Battery (Positive)
F	Address In
G	Ground (Return)

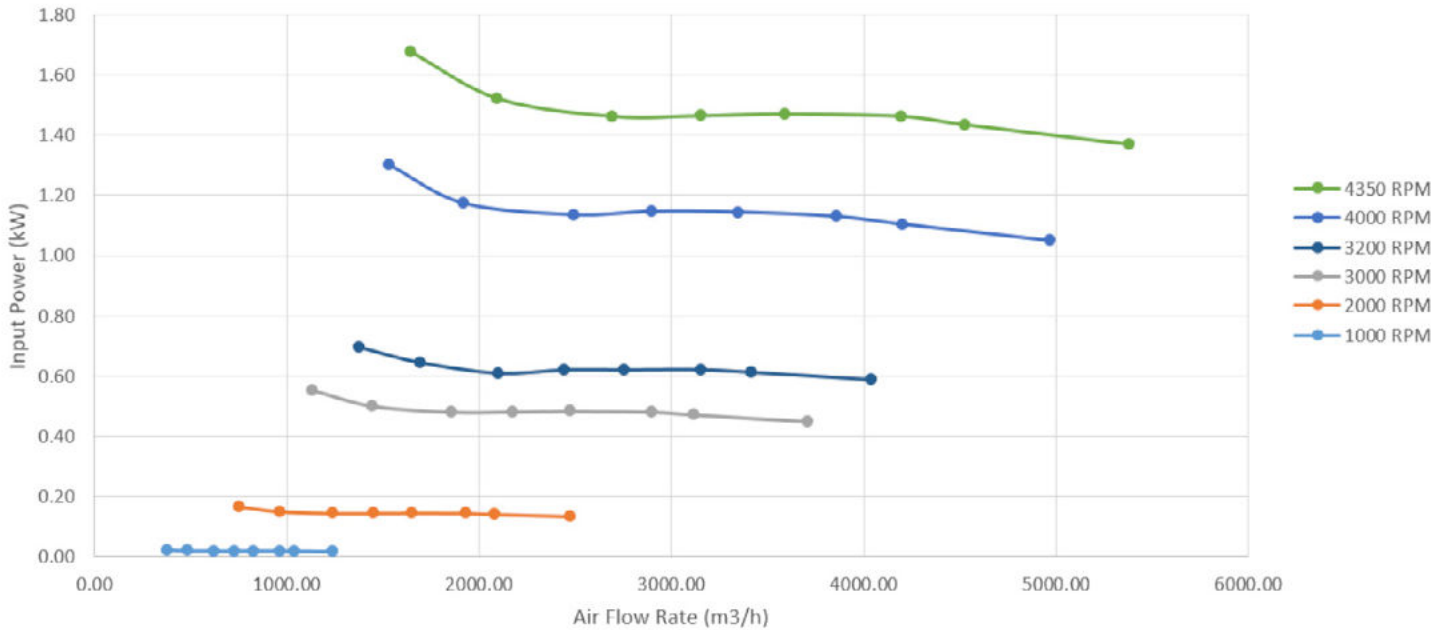
(1). Represent the connector on the fan

(2). Mating harness part number – 12059472.  
Pin description same as above

### 380mm Lightweight Pull Fan Static Pressure Rise



### 380mm Lightweight Pull Fan Input Power



#### TURNTIDE TECHNOLOGIES

Our breakthrough technologies accelerate electrification and sustainable operations for energy-intensive industries

Turntide Technologies | 1295 Forgewood Avenue, Sunnyvale, CA 94089  
[turntide.com](http://turntide.com) | [hvacmotorsales@turntide.com](mailto:hvacmotorsales@turntide.com)