

Turntide eCP80 Electric Water Pump 48V



Features

- + Pump family tested against ISO 16750 Environmental test standards
- + Integrated motor controller provides variable speed control
- + CAN or PWM** input
- + Electrical connector / coolant outlet orientation options available
- + Fault reporting
- + Integrated power electronics
- + ECE R10
- + Delay shutdown function

Electrical Specifications

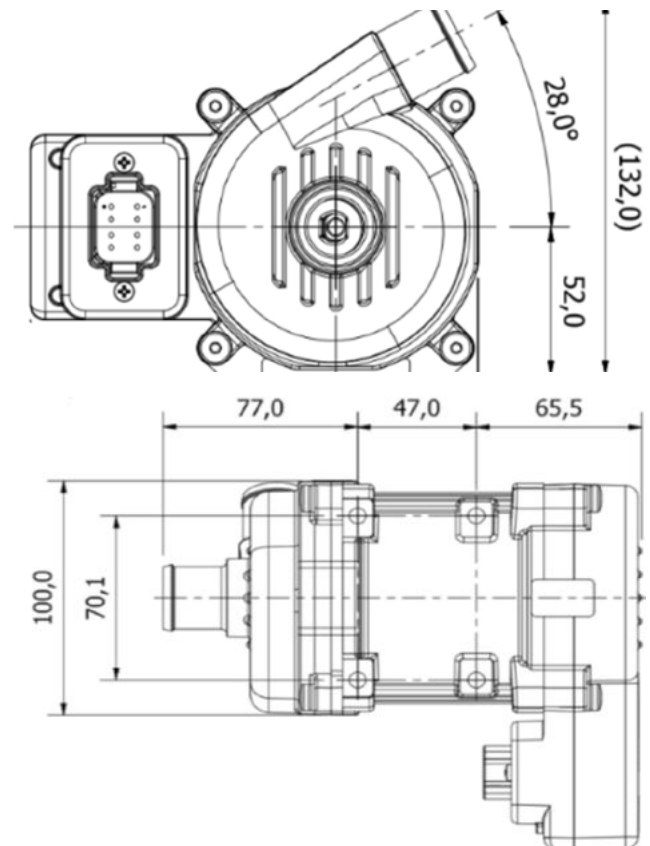
Rated Voltage:	36-54V
Max Current:	10.5A
Input DC Power:	450W

Interface

Control:	SAE J1939 or CAN J1939
Connector:	DT15-08P A ⁽¹⁾⁽²⁾ TE Connectivity (Deutsch)

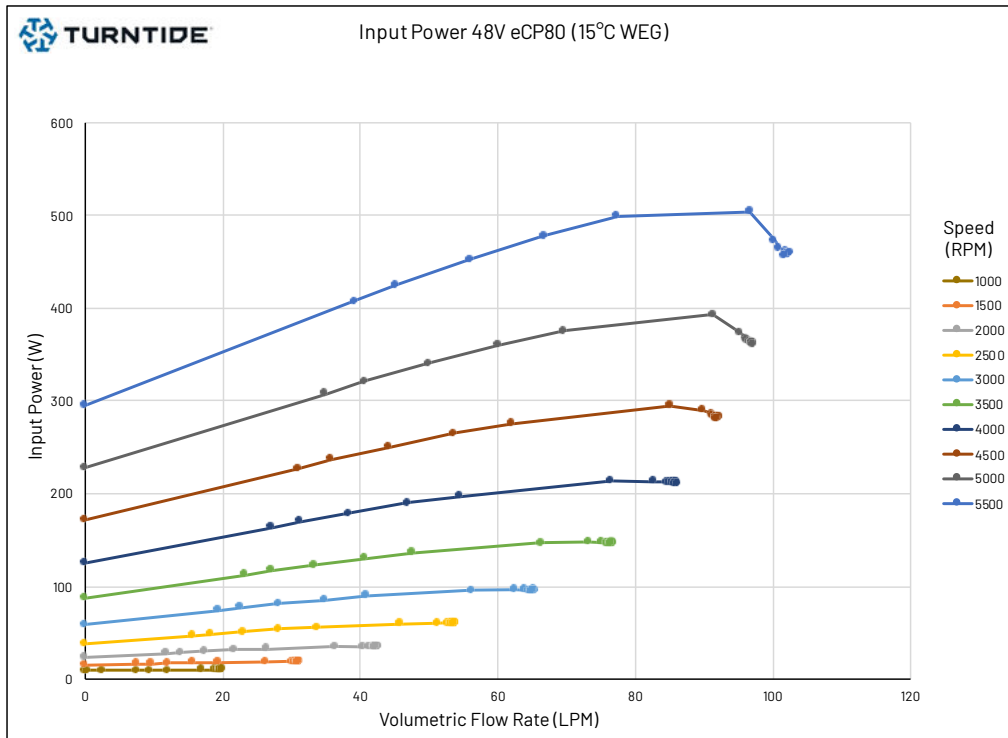
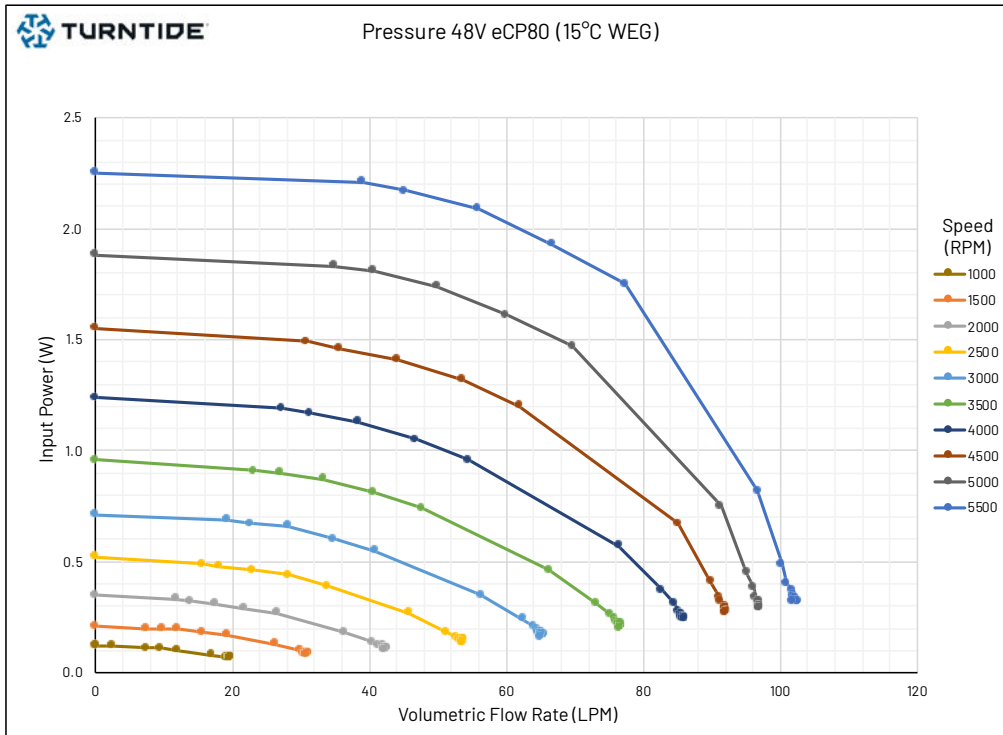
Specifications

Pump Type:	Sealless Centrifugal Impeller
Best Efficiency Point (BEP):	77.4LPM @ 1.8bar static pressure rise
Min Operating Temp:	-30°C*
Max Operating Temp:	+75°C*
Min Storage Temp:	-40°C*
Max Storage Temp:	+85°C*
Fluid Inlet and Outlet Connection:	1" Hose Barb
Housing Material:	Cast Aluminium LM6
IP Rating:	IP6k9k
Weight:	2.82kg



*Product tested to sections of ISO16750-3 & ISO16750-4

** For limited functionality



For further information please contact our team of experts at electrificationsales@turntide.com

TURNTIDE TECHNOLOGIES

Our breakthrough technologies accelerate electrification and sustainable operations for energy-intensive industries

Turntide Technologies | 1295 Forgewood Avenue, Sunnyvale, CA 94089
turntide.com | electrificationsales@turntide.com