

eCP80 High Flow Electric Water Pump 24V

Features

- + Variable speed control with integrated motor controller
- + Diagnostics capability
- + Integrated Power Electronics
- + ECE R10, CRISPR 25 certification



Interface

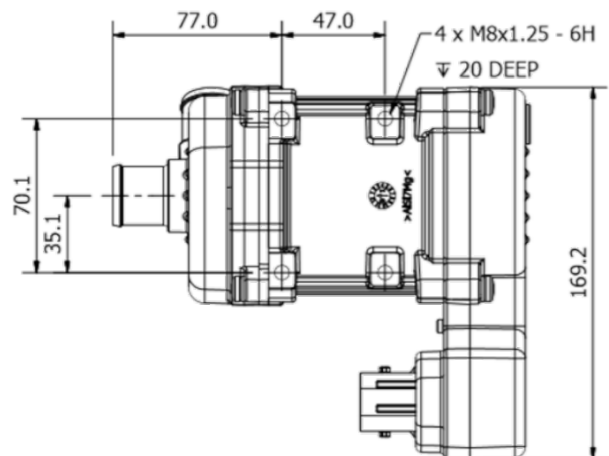
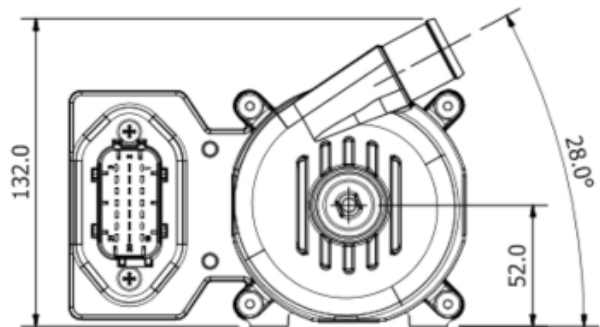
CAN controlled:	SAE J1939 Compatible, 250/500 baud
Ignition Enabled:	9-32V
Connector:	AMP MCP LEVYSEAL sealed connector 1534238-1

Electrical Specifications

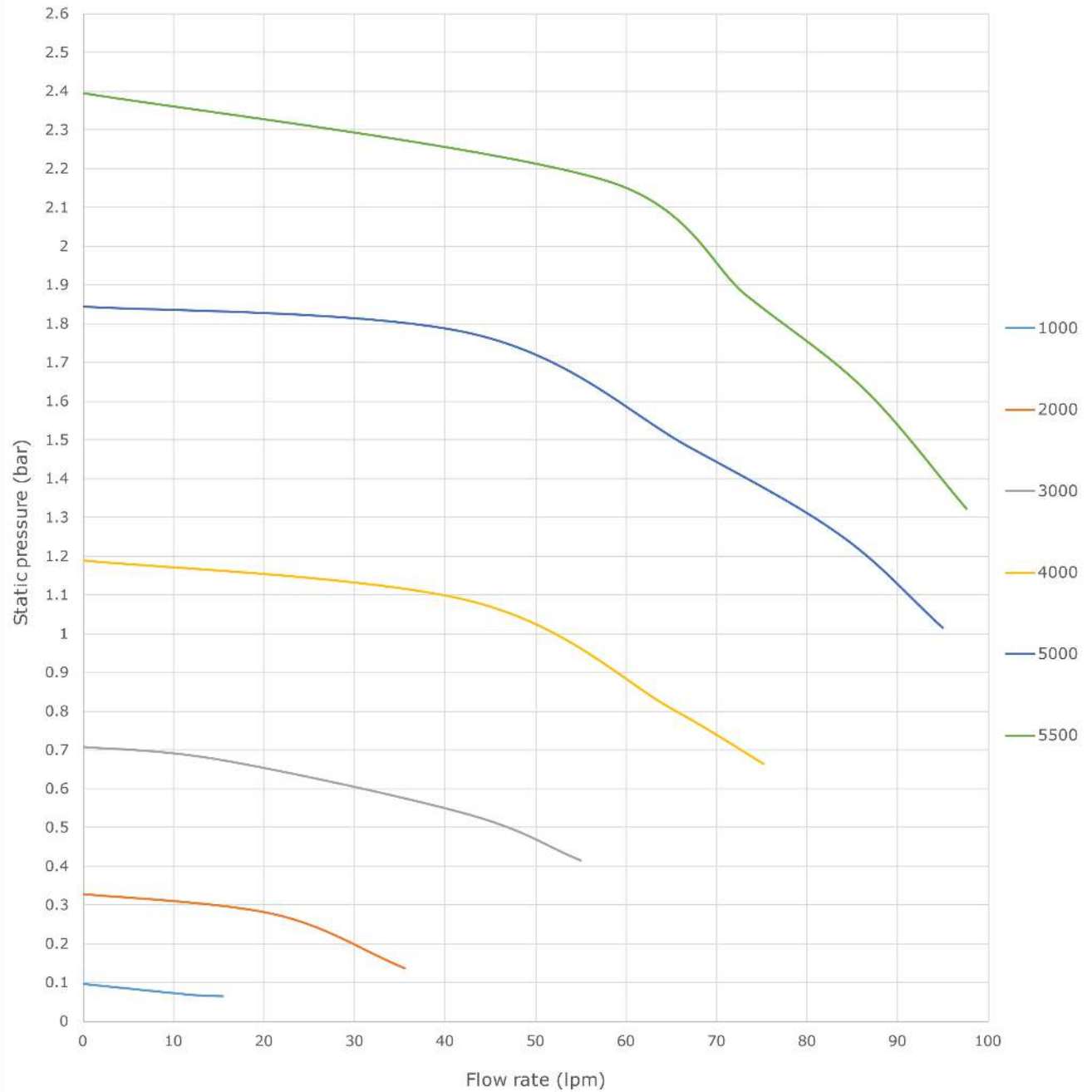
Rated Voltage:	18-32V
Rated Current:	19A
Rated Power:	450W

Specifications

Pump Type:	Sealless Centrifugal Impeller
Maximum Flow:	86 litres per minute @ 58kPA Static Pressure
Operating Temp:	35°C to 75°C
Storage Temp:	-40°C to 100°C
Fluid Inlet and Outlet Connection:	1" Hose Barb
Target Life Cycle:	40,000 hours MTBF & 65°C ambient, 65°C coolant
Housing Material:	Cast Aluminium
IP Rating:	IP6k9k
Weight:	3.02kg



Static Pressure Vs Flow Rate



TURNTIDE TECHNOLOGY FOR SUSTAINABLE OPERATIONS

Our breakthrough technologies accelerate electrification and sustainable operations for energy-intensive industries.