

# eCP80 High Flow Electric Water Pump 48V



## Features

- + Variable speed control with integrated motor controller
- + Diagnostics capability
- + Integrated Power Electronics
- + ECE R10 certification

## Interface

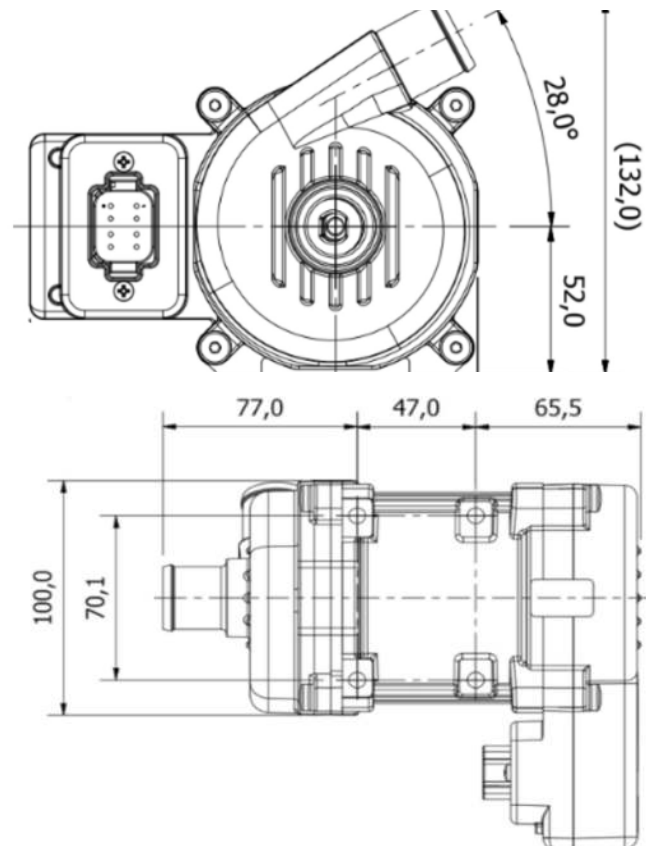
<b>CAN controlled:</b>	SAE J1939 Compatible, 250/500 baud
<b>Ignition Enabled:</b>	9-54V
<b>Connector:</b>	Deutsch DT15-08P A

## Electrical Specifications

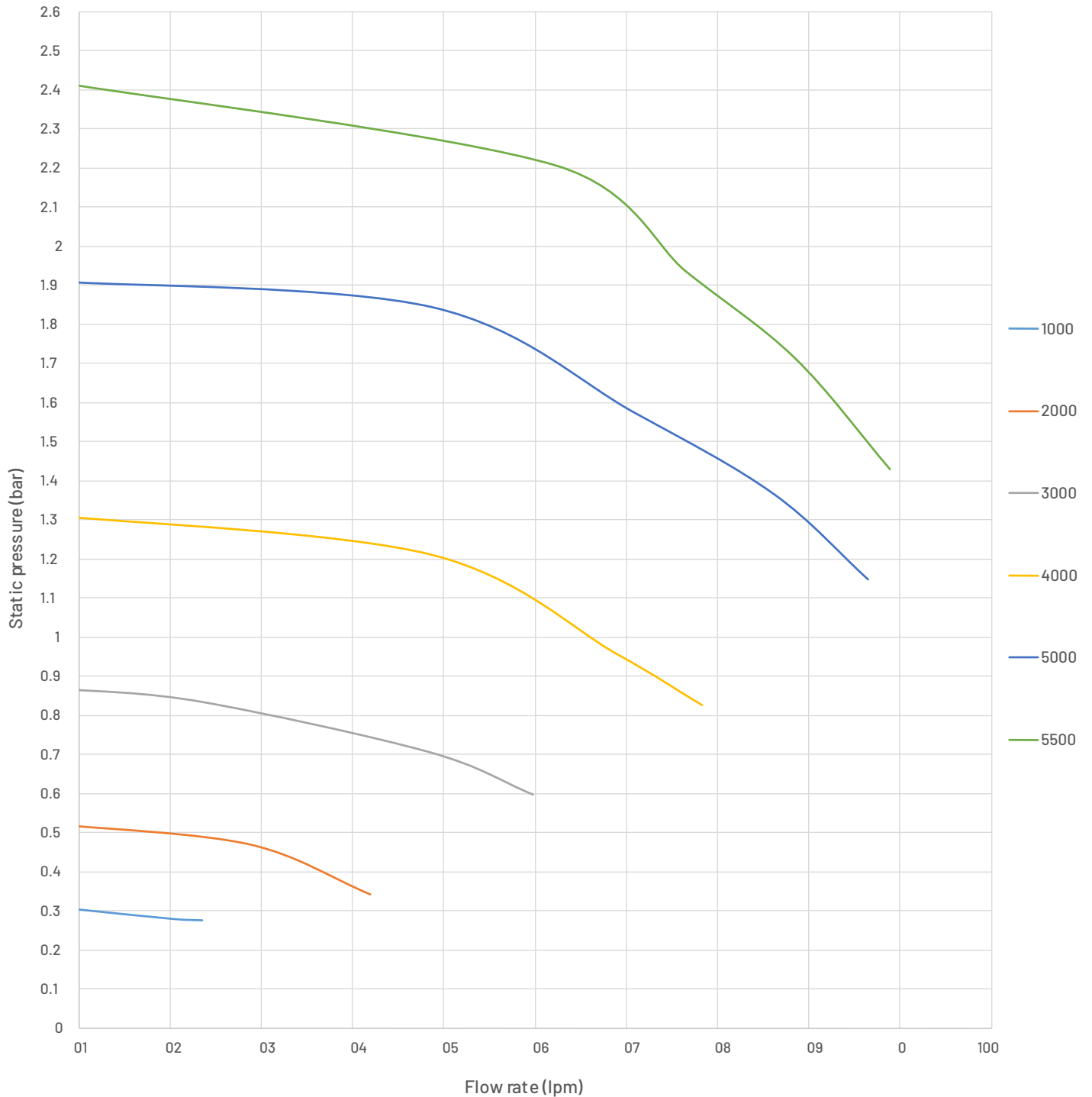
<b>Rated Voltage:</b>	36-54V
<b>Rated Current:</b>	10A
<b>Rated Power:</b>	450W

## Specifications

<b>Pump Type:</b>	Sealless Centrifugal Impeller
<b>Maximum Flow:</b>	86 litres per minute @ 58kPa Static Pressure
<b>Operating Temp:</b>	35°C to 75°C
<b>Storage Temp:</b>	-40°C to 100°C
<b>Fluid Inlet and Outlet Connection:</b>	1" Hose Barb
<b>Target Life Cycle:</b>	40,000 hours MTBF & 65°C ambient, 65°C coolant
<b>Housing Material:</b>	Cast Aluminium
<b>IP Rating:</b>	IP6k9k
<b>Weight:</b>	2.88kg



## Static Pressure Vs Flow Rate



### TURNTIDE TECHNOLOGY FOR SUSTAINABLE OPERATIONS

Our breakthrough technologies accelerate electrification and sustainable operations for energy-intensive industries.