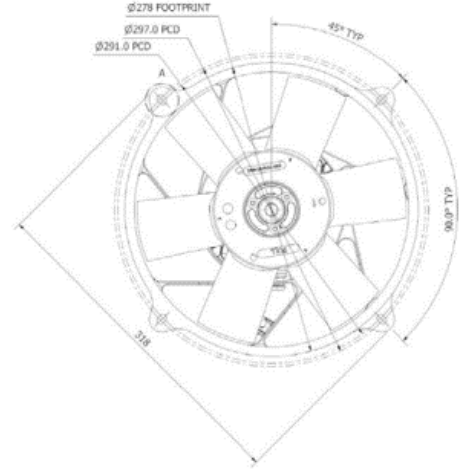
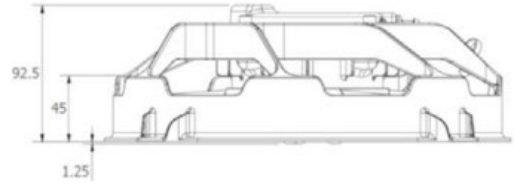


**DATASHEET**

# Lightweight e-Fan (48V, 10")



## Features

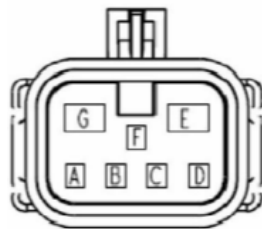
- Long life, brushless, sensor-less motor
- Environmentally sealed (IP67)
- Fully reversible
- Advanced integrated motor controller
- Best in class performance
- Thermal overload protection
- Voltage transient protection
- CAN controllable and diagnostics

## Specifications

Characteristics			
<b>Operational Voltage Range</b>	36V to 52V	<b>Weight (kg)</b>	2.0
<b>Operational Temperature Range</b>	-30°C to +75°C	<b>Storage Temperature Range</b>	-40°C to +85°C
<b>Best Efficiency Point</b>	949.4 m <sup>3</sup> /h @ 3000RPM	<b>Max Input Power</b>	approximately 1.7kW

### Connector Pin-Out

Connector Information – 12052200<sup>(1)(2)</sup>  
Male 7 way Delphi 150/480 Sealed Connector



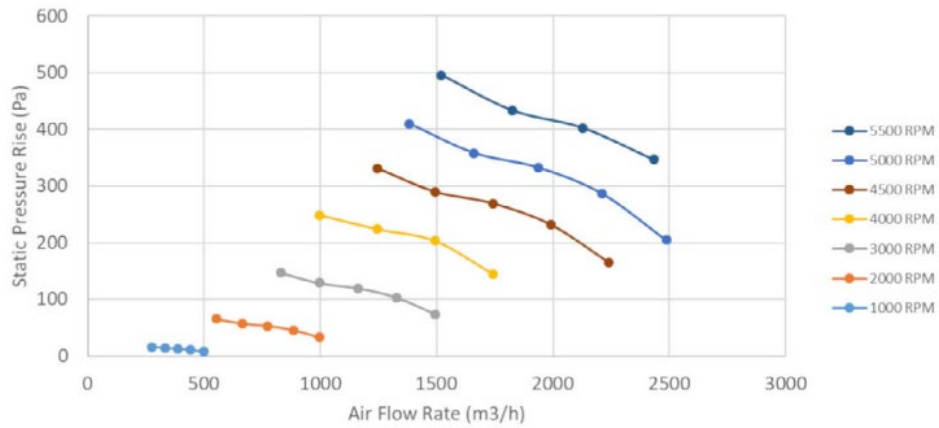
Pin	Description
A	CAN LO
B	CAN HI
C	Enable (Ignition)
D	PWM Input
E	Battery (Positive)
F	Address In
G	Ground (Return)

(1). Represent the connector on the fan  
(2). Mating harness part number – 12059472. Pin description same as above

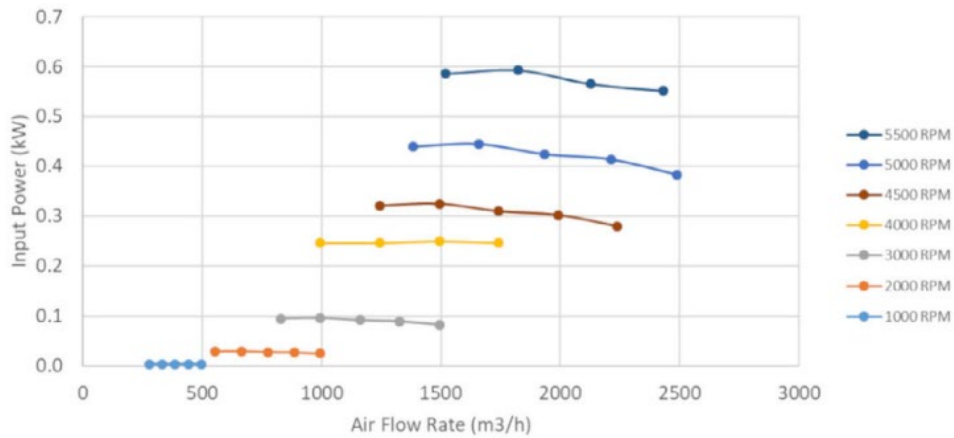
### Applications

<b>Applications</b>	<ul style="list-style-type: none"> <li>• Main engine cooling</li> <li>• Secondary cooling</li> <li>• Transmission cooling</li> <li>• ERG cooling</li> <li>• Oil cooling</li> </ul>	<ul style="list-style-type: none"> <li>• Hydraulic cooling</li> <li>• HVAC cooling</li> <li>• Electronic cooling</li> <li>• CAC/Intercooler cooling</li> </ul>
---------------------	--	--

### 255mm Lightweight Pull Fan Static Pressure Rise



### 255mm Lightweight Pull Fan Input Power



For further information please contact our team of experts at [electrificationsales@turntide.com](mailto:electrificationsales@turntide.com)

#### TURNTIDE TECHNOLOGIES

Our breakthrough technologies accelerate electrification and sustainable operations for energy-intensive industries

Turntide Technologies | 1295 Forgewood Avenue, Sunnyvale, CA 94089

[turntide.com](http://turntide.com) | [electrificationsales@turntide.com](mailto:electrificationsales@turntide.com)

