

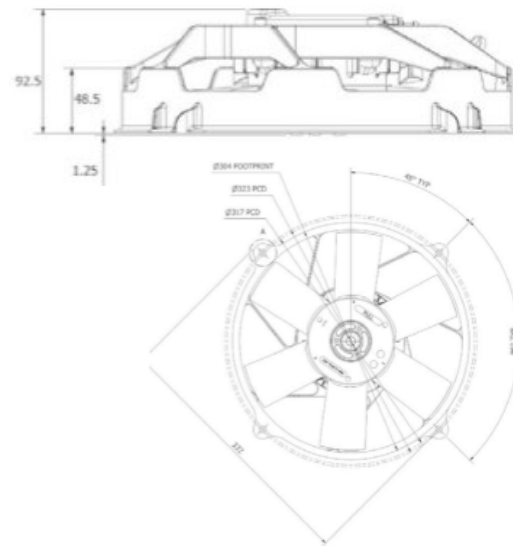
DATASHEET



Lightweight e-Fan (48V, 11")

Features

- Long life, brushless, sensor-less motor
- Environmentally sealed (IP67)
- Fully reversible
- Advanced integrated motor controller
- Best in class performance
- Thermal overload protection
- Voltage transient protection
- CAN controllable and diagnostics



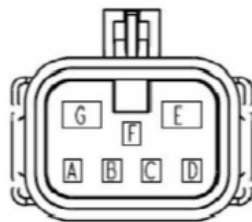
Specifications

Characteristics

| | | | |
|--------------------------------------|------------------------------------|----------------------------------|--------------------|
| Operational Voltage Range | 36V to 52V | Weight | 2.2 kg |
| Operational Temperature Range | -30°C to +75°C | Storage Temperature Range | -40°C to +85°C |
| Best Efficiency Point | 2102.5 m ³ /h @ 5500RPM | Max Input Power | approximately 800W |

Connector Pin-Out

Connector Information – 12052200⁽¹⁾⁽²⁾
Male 7 way Delphi 150/480 Sealed Connector



| Pin | Description |
|-----|--------------------|
| A | CAN LO |
| B | CAN HI |
| C | Enable (Ignition) |
| D | PWM Input |
| E | Battery (Positive) |
| F | Address In |
| G | Ground (Return) |

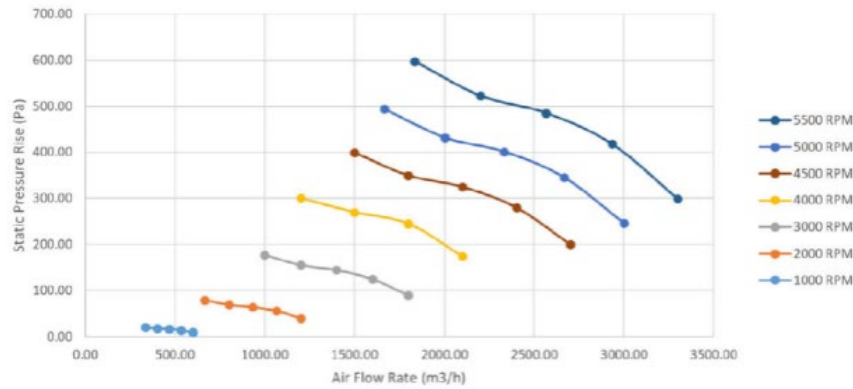
(1). Represent the connector on the fan

(2). Mating harness part number – 12059472.
Pin description same as above

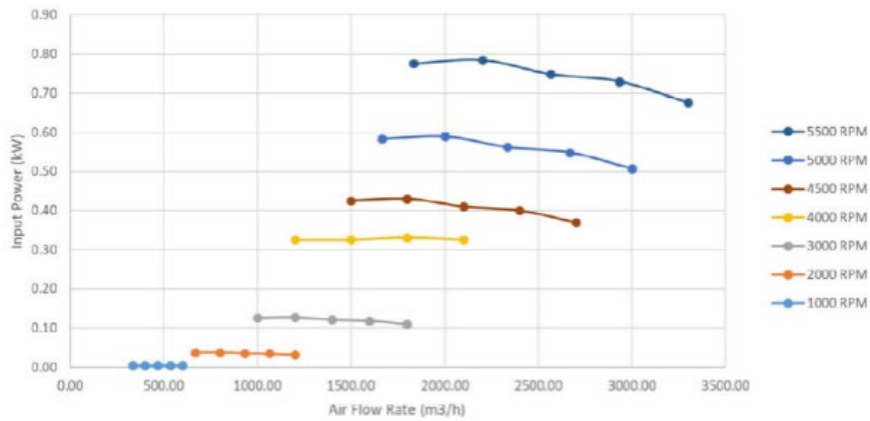
Applications

| | | |
|---------------------|---|---|
| Applications | <ul style="list-style-type: none"> • Main engine cooling • Secondary cooling • Transmission cooling • ERG cooling | <ul style="list-style-type: none"> • Oil cooling • Hydraulic cooling • HVAC cooling • Electronic cooling • CAC/Intercooler cooling |
|---------------------|---|---|

280mm Lightweight Pull Fan Static Pressure Rise



280mm Lightweight Pull Fan Input Power



For further information please contact our team of experts at electrificationsales@turntide.com

TURNTIDE TECHNOLOGIES

Our breakthrough technologies accelerate electrification and sustainable operations for energy-intensive industries

Turntide Technologies | 1295 Forgewood Avenue, Sunnyvale, CA 94089

turntide.com | electrificationsales@turntide.com

